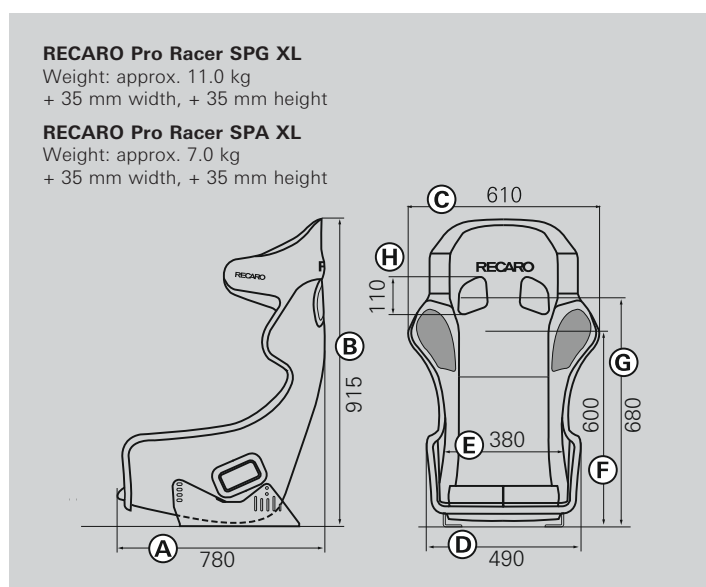
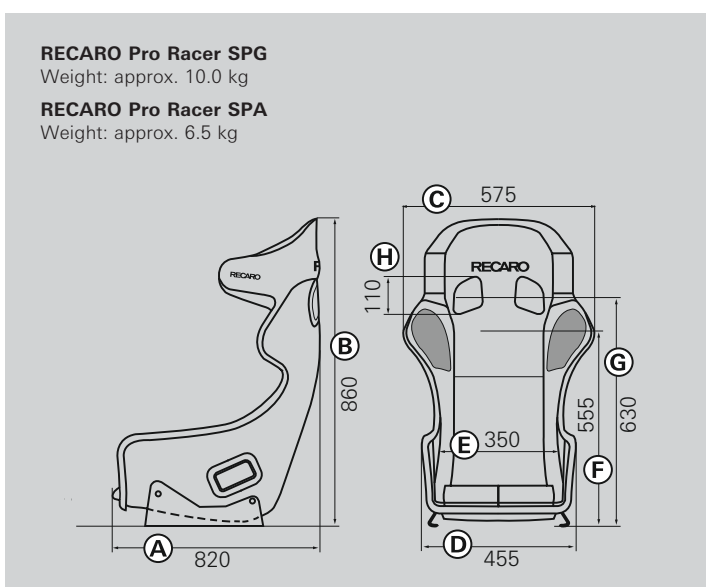
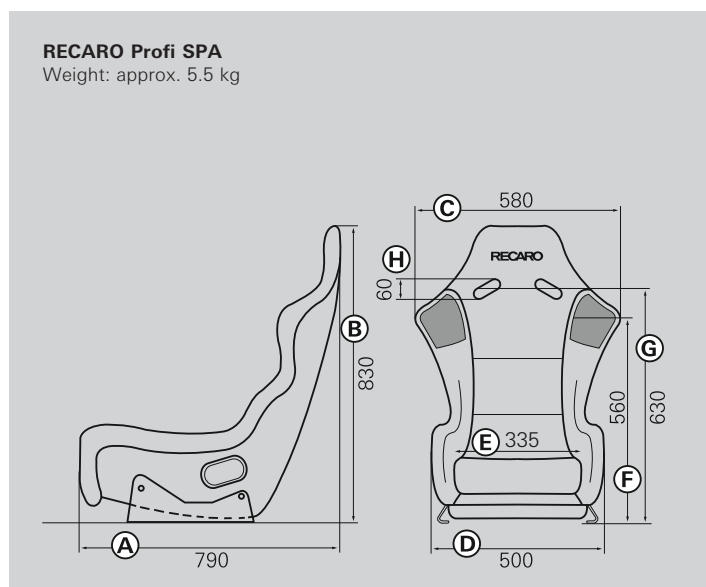
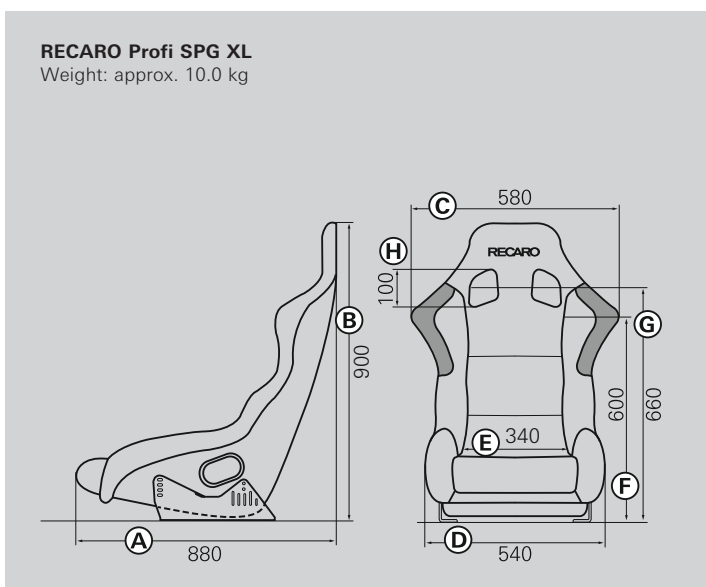
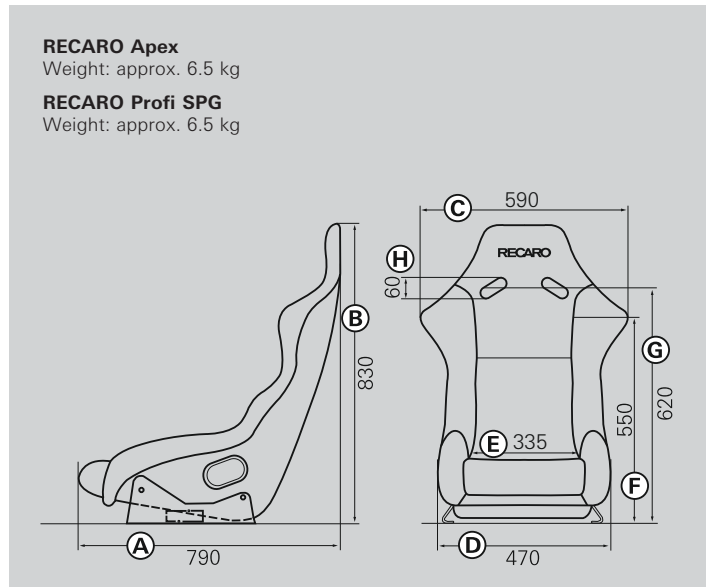
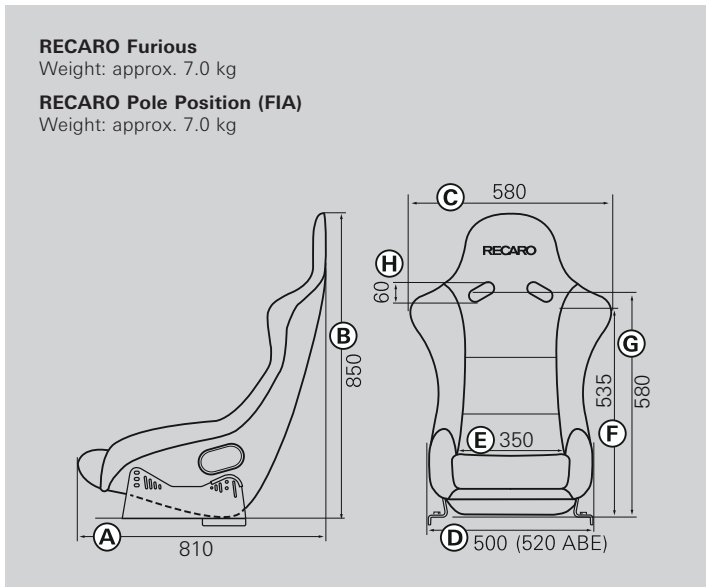


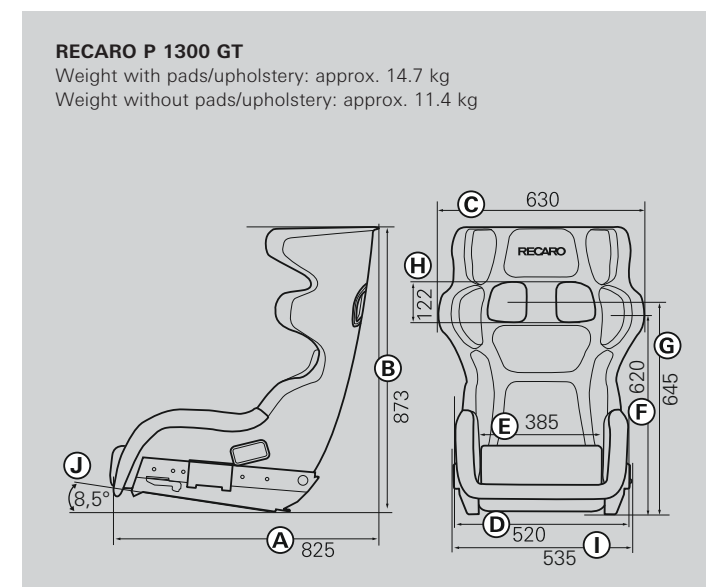
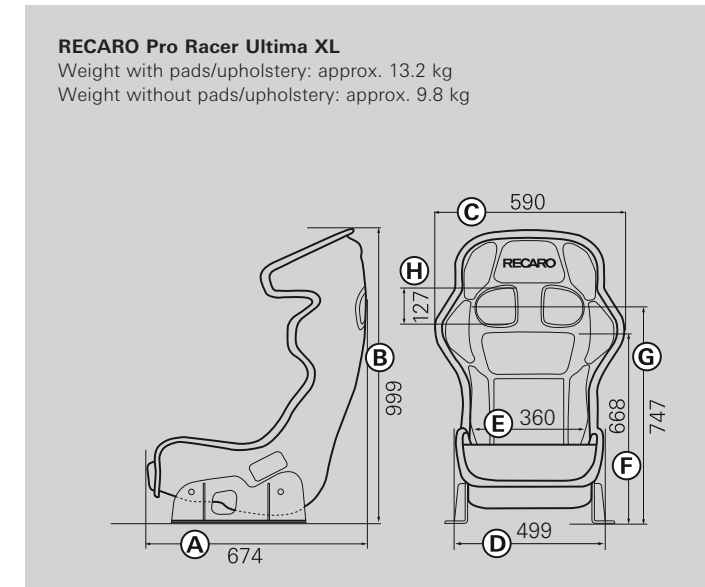
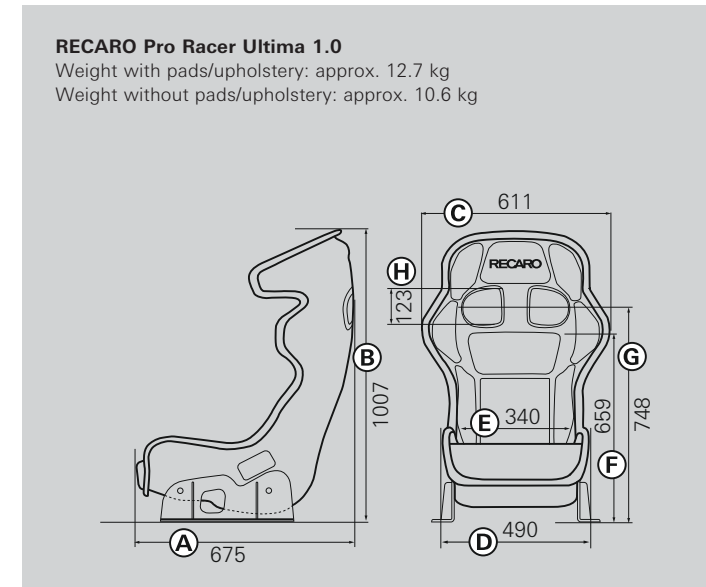
TECHNICAL DATA

FIA approval 8855-1999



TECHNICAL DATA

FIA approval 8862-2009 (Advanced Racing Seat)



KEY TO THE DIMENSIONS OF THE RECARO RACING SEATS:

Package dimensions:

- A: Seat depth
- B: Seat height
- C: External shell dimension at shoulder
- D: External shell dimension at seat cushion
- I: Width of substructure
- J: Tilt at mounting level

Comfort dimensions:

- E: Seating width
- F: Height of shoulder support

Belt slot:

- G: Center belt slot
- H: Height of belt slot

■ Dimensions in mm

NOTE:

- Mounting width for racing seats: 406 mm (not for RECARO Pro Racer Ultima 1.0, RECARO Pro Racer Ultima XL and RECARO P 1300 GT)
- The dimensions of the racing seats RECARO Furious, Pole Position (FIA), Apex, Profi SPG, Profi SPG XL, Profi SPA, Pro Racer SPG/SPA and Pro Racer SPG/SPA XL were determined in standard position (upper mounting point at front and lower mounting point at rear).
- The dimensions of the RECARO P 1300 GT were determined in the rearmost position.
- Weight: total shell weight (without mounted parts).
- RECARO racing shells can be individually fitted into nearly all racing cars. Not permitted in the area of the StVO – excluding FIA/ ASN licensed events.
- FIA approval 8855-1999 and 8862-2009 (Advanced Racing Seat) apply only in conjunction with specified sidemount.
- The RECARO motorsport seats are made by hand to our highest quality standards. Due to this special manufacturing process, the lamination may in exceptional instances result in slight tolerances to the specified dimensions and weights.